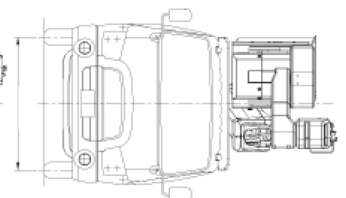
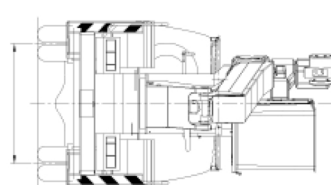
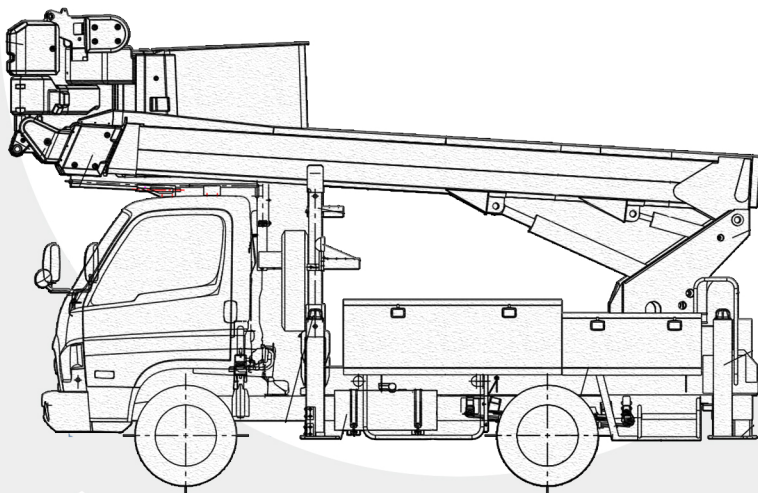
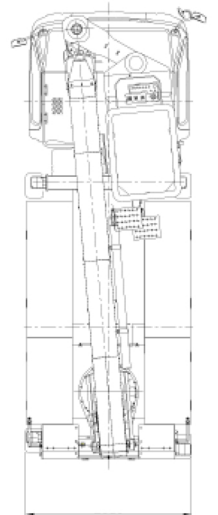
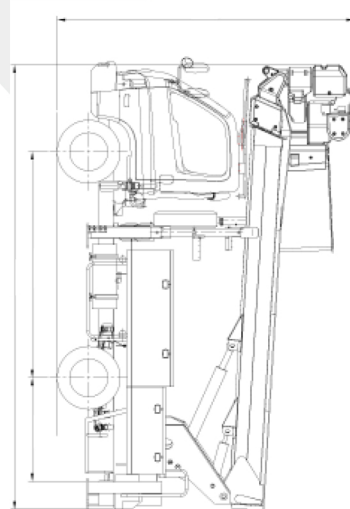
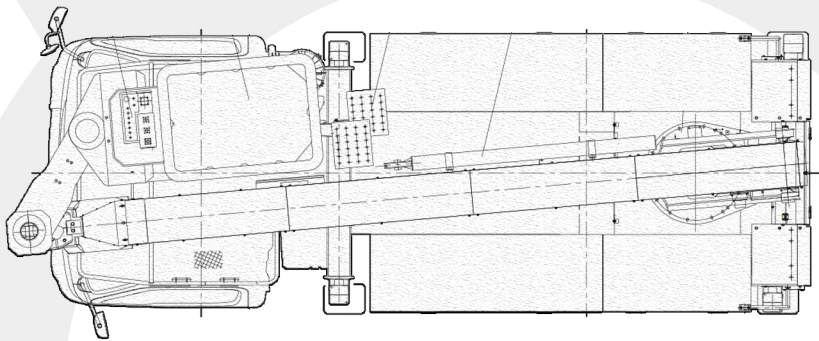


DONGHAE
INSULATED AERIAL PLATFORM

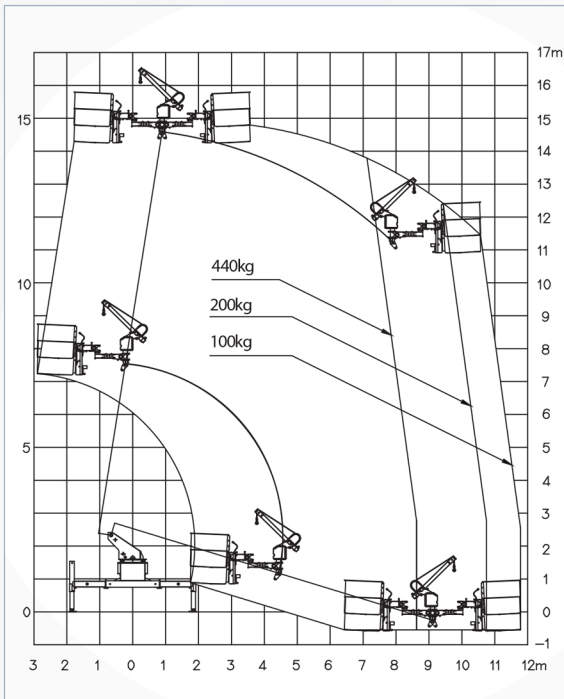
DHT 150AS



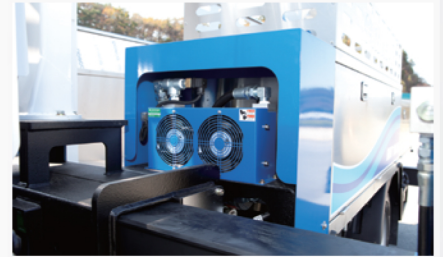
DONGHAE

INSULATED AERIAL PLATFORM

WORKING RADIUS (DHT 150AS)



**DONGHAE
MACHINERY & AVIATION
Co., Ltd.**



OIL COOLER

In the hot weather, to prevent performance degradation due to oil temperature rise, oil cooler is installed as standard.



HYDRAULIC WINCH & JIB BOOM & ARM BOOM

Manual winch operation can be selected and it is not difficult to attach and detach jib boom thanks to its light weight.
Standard : manual type, Option : auto type



BUCKET SLIDE

For user convenience (optional), unit has a bucket up/down slide function.



H TYPE OUTRIGGER

Stabilization sensor is fitted and outrigger extension distance can be shown for operator

SPECIFICATION	DHT-150-AS
BUCKET	<ul style="list-style-type: none"> - Height 14.8 meter to bucket floor - Capacity 250 Kg for 2 person - Dimensions (L*W*H) 110 cm x 73 cm x 100 cm - FRP - Insulation 25 KV/5 minute - Rotation 120° left and right - Slide 50 cm - Tilting 90° - Protector (Optional) - Electric operation - Booster hydraulic installed inside for press and cutting (pressure 700 bar)
BUCKET LINER	<ul style="list-style-type: none"> - Polyethylene - Insulation 50 KV/5 minute - Protector (Optional)
JIB BOOM AND WINCH	<ul style="list-style-type: none"> - Height 16.5 meter - Lifting Capacity 440 Kg - FRP - Angle 90° - Rotation 90° left and right - Insulation Nylon Rope - Electric and manual operation - Auto and manual speed (Rope Speed 35 meter/minute) - Insulation 25 KV/5 minute
BOOM	<ul style="list-style-type: none"> - Telescopic - Rotation 360° Continuous - 3 Segment (1&2 Steel , 3 FRP) - Insulation 100 KV/5 minute - Leaking current under 1 mA - Hydraulic power system - Electric and manual operation - Arm boom rotation 125° left and right with length 85 cm
PTO	<ul style="list-style-type: none"> - Switch Electric operation (System installed inside cabin) - PTO alarm available
OUTRIGGER	<ul style="list-style-type: none"> - H type with LED indicator - Wide 3.8 meter - Steel - Electric and manual operation - Waterpass/horizontal and vertical balance indicator installed on lower control
SAFETY DEVICE	<ul style="list-style-type: none"> - Emergency stop on bucket and lower control - Interlock system - Emergency pump - Fire Extinguisher - Grounding system
DIMENSIONS UNIT	<ul style="list-style-type: none"> - Total length 6.08 meter - Total wide 2.09 meter - Total height 3.8 meter
ACCESSORIES	<ul style="list-style-type: none"> - Cover bucket and winch - Outrigger Pad - Rubber wheel stopper - Toolbox - Bucket mat - Safety harness - Toolkit - Grease gun - Air conditioner

For Indonesian Market

► **NOTE:** Technical specification is subjected to change for quality improvement without prior notice.

Please contact our local distributor:



PT CIPTA TAPAK SEJAHTERA

Graha Intercipta
Pusat Bisnis Daan Mogot Baru Blok KJF No. 28 - 32
Jl. Tampak Siring, Jakarta 11840
Phone : +62 21 5439 4888
Fax : +62 21 5439 0490
Email : cts@interciptacorp.com